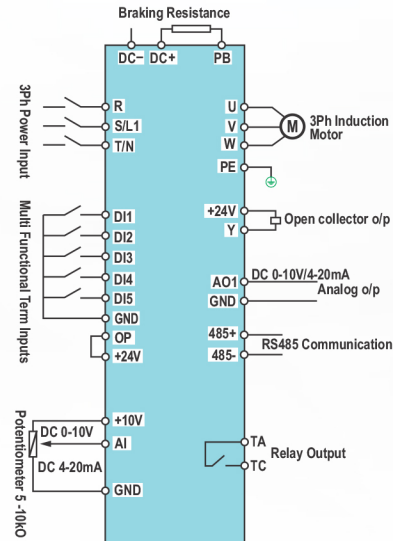




MR-EcoHD-1B (High Performance Mini Frequency Converter)

- Complete functions and complete arithmetic
- Macro for Constant Pressure Water supply
- Perfect Motor control and Protection with motor short circuit protection
- Built-In C3 EMC filter
- Triple layer conformal coating
- Flexible Design, V/F & Vector Control Mode
- IP20, 50 Degree Ambient Rated with Fan cooling
- ROHS & CE Compliant

SCHEMATIC POWER & CONTROL DRAWING



Frequency Converter Model	Input current (A)	Output current (A)	Adapted motor	
			kW	HP
G1 input voltage range: Single-phase AC120V±15%, 50 / 60 Hz				
MR-EcoHD-1B-00D40G1-1	9	2.3	0.4	0.5
MR-EcoHD-1B-00D75G1-1	15	4.0	0.75	1
MR-EcoHD-1B-001D5G1-1	24	7.0	1.5	2
MR-EcoHD-1B-002D2G1-1	31	9.6	2.2	3
G1 input voltage range: Single-phase AC220V±15%, 50 / 60 Hz				
MR-EcoHD-1B-00D40G1-2	5.4	2.3	0.4	0.5
MR-EcoHD-1B-00D75G1-2	8.2	4.0	0.75	1
MR-EcoHD-1B-001D5G1-2	14	7.0	1.5	2
MR-EcoHD-1B-002D2G1-2	23	9.6	2.2	3
G2 input voltage range: Three-phase AC220V±15%, 50 / 60 Hz				
MR-EcoHD-1B-00D40G2	3.4	2.1	0.4	0.5
MR-EcoHD-1B-00D75G2	5.0	3.8	0.75	1.0
MR-EcoHD-1B-001D5G2	5.8	5.1	1.5	2
MR-EcoHD-1B-002D2G2	10.5	9	2.2	3
MR-EcoHD-1B-00400G2	14.6	13	4	5
G3 input voltage range: Three-phase AC 380~440 (-15%~+10%), 50 / 60 Hz				
MR-EcoHD-1B-00D75G3	3.4	2.1	0.75	1
MR-EcoHD-1B-001D5G3	5.0	3.8	1.5	2
MR-EcoHD-1B-002D2G3	5.8	5.1	2.2	3
MR-EcoHD-1B-00400G3	10.5	9	4.0	5
G4 input voltage range: Three-phase AC 440~480 (-15%~+10%), 50 / 60 Hz				
MR-EcoHD-1B-00D75G4	4.1	2.5	0.75	1.0
MR-EcoHD-1B-001D5G4	4.9	3.7	1.5	2.0
MR-EcoHD-1B-002D2G4	5.7	5.0	2.2	3
MR-EcoHD-1B-00400G4	11	8.0	4	5